

Instructions:

1. Place adapter inside 3-phase rail
2. Lock adapter
3. Select the correct phase
 - 3a. Rotate clockwise for phase 1
Rotate counter clockwise for phase 2
 - 3b. Pull out and rotate counter clockwise for phase 3
Pull out and rotate clockwise for setting to Neutral

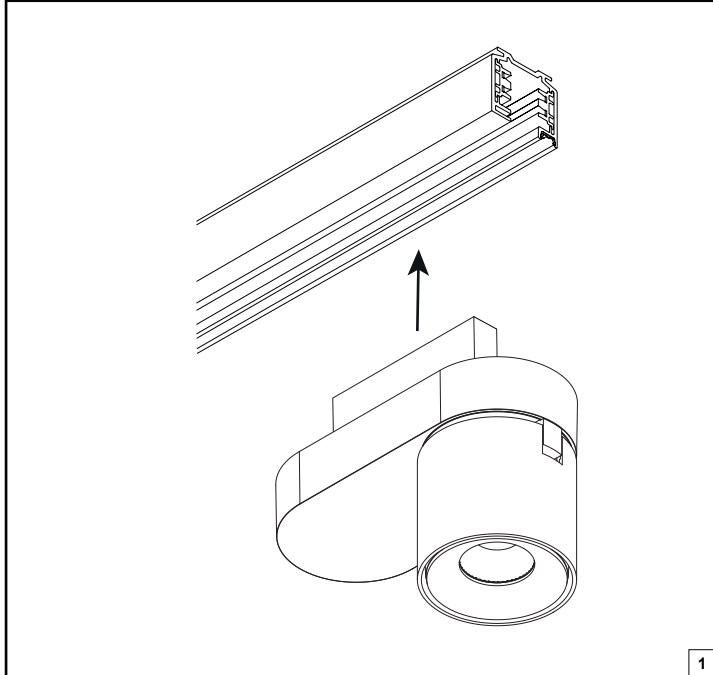
Forward voltages and nominal drive currents are mentioned on the label supplied with the product or can be found in the technical datasheet of the product.

Always use the correct driver.

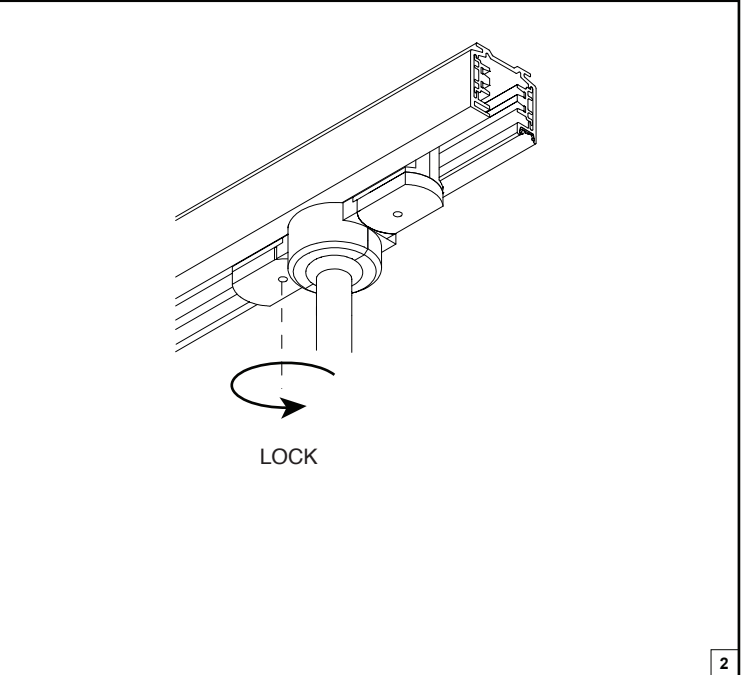
Always install the driver according to the wiring schematics supplied with the driver.

Always check if multi-current drivers are set to the correct output current.

Doxis Lighting Factory cannot be held responsible for damage caused by using the wrong driver.

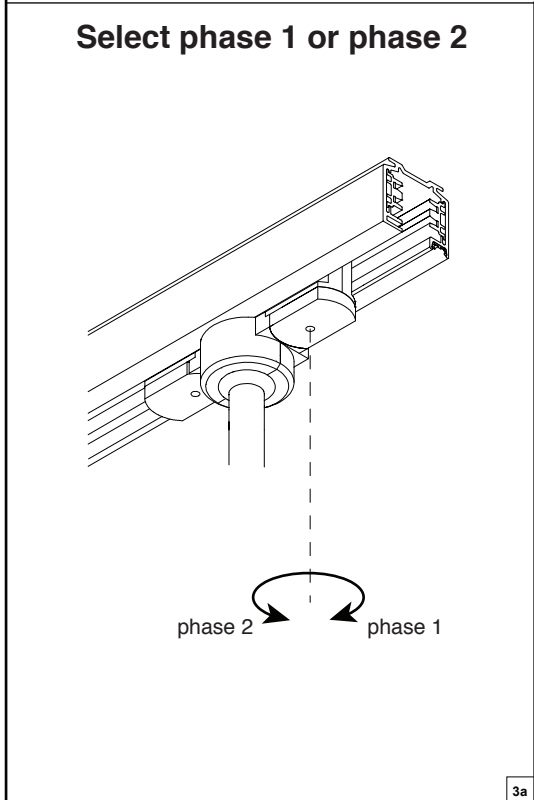


1



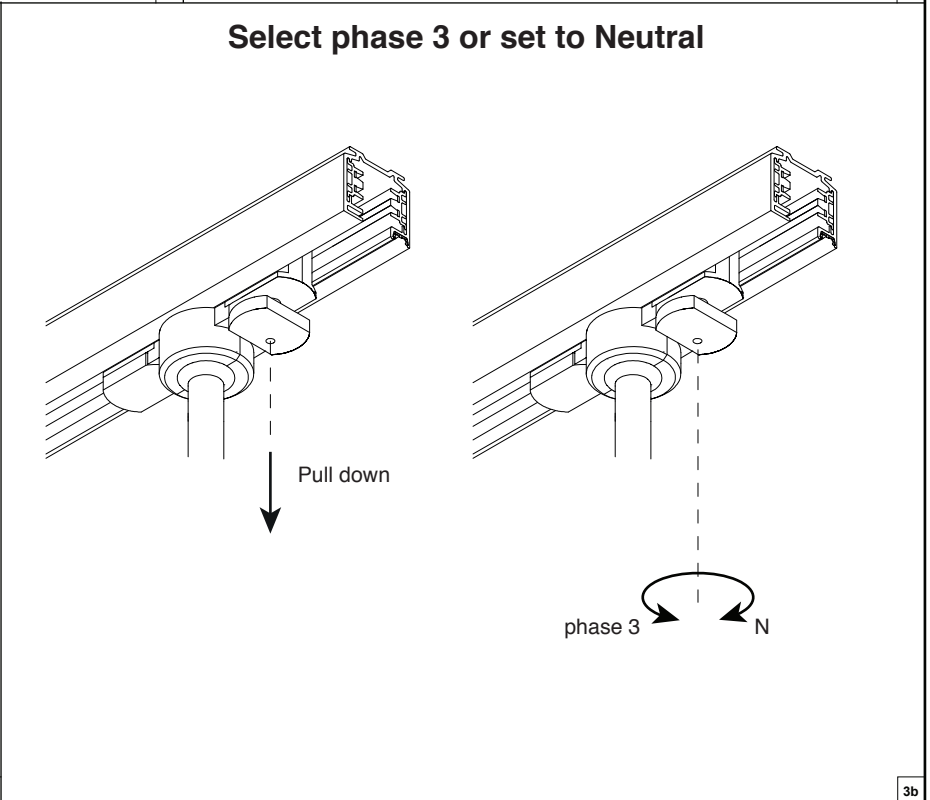
2

Select phase 1 or phase 2



3a

Select phase 3 or set to Neutral



3b

⚠ Attention!!

Always follow the instructions described in this document and store this document for future reference.

Do not touch LED surface. Warranty void if LED contact has taken place.
Only to be installed by a qualified electrician.

Always make sure power is completely switched off when working on luminaire.

Doxis Lighting Factory NV cannot be held responsible for any damage caused by incorrect installation, modification, reparation or incorrect application/usage of the product.

Non dim
(universal adapter)

| | | |
|--------------|--|----|
| Brown | | L |
| Yellow-Green | | PE |
| Blue | | N |

DALI dim
(only for Eutrac DALI tracks)

| | | |
|--------------|--|------|
| Grey | | DA - |
| Black | | DA + |
| Yellow-Green | | PE |
| Blue | | N |
| Brown | | L |